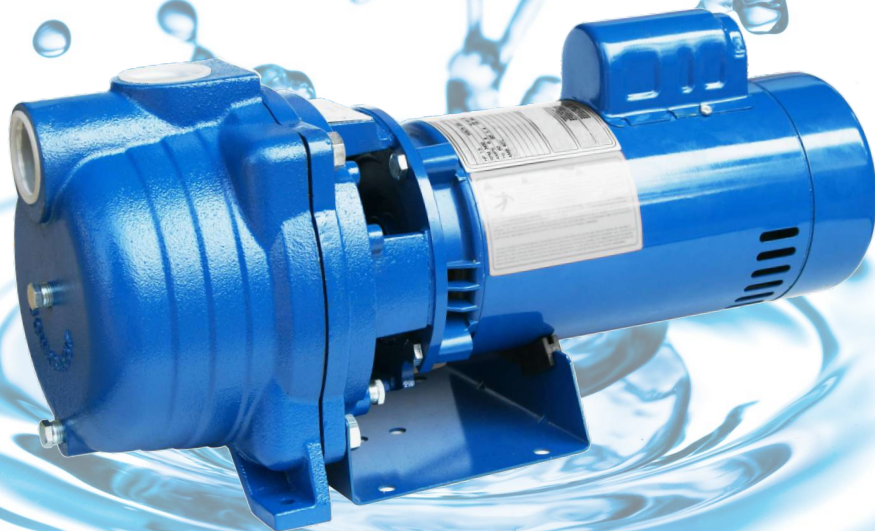


**SPI** 0.75/1/1.5/2 HP  
SELF PRIMING CENTRIFUGAL PUMPS- 60Hz



**SHAKTI**

THE POWER OF INNOVATION, EFFICIENCY & TECHNOLOGY.

# **SPI** 0.75/1/1.5/2 HP

## **SELF PRIMING CENTRIFUGAL PUMPS- 60Hz**

### **FEATURES**

Self-Priming pump which once primed initially, designed to re-prime itself when under lift conditions. With short time on self-priming and stable working performance the pump has variegated features which make it convenient to use.

- Ultra-modern design.
- Superior design materials & manufacturing process assures a longer life.
- Easy installation
- Dynamically balanced rotating parts to ensure minimum vibration during run time.
- Easy maintenance and spares availability

### **Serviceable:**

- The pumps have back pull out design enabling the removal of motor without dismantling the pump.

### **SPECIFICATIONS**

- Pipe connections : 1½" NPT suction and 1½" NPT discharge
- NEMA standard single phase motor with start/run capacitor, 60 Hz, 3450 RPM
- ¾ - 2 HP, 115/230 V capacitor start
- Single phase
- 3500 RPM
- Built - in over load with automatic reset

Thermoplastic impeller, diffuser for light weight, high performance strength and impact resistance.

Maximum temperature : 140 °F

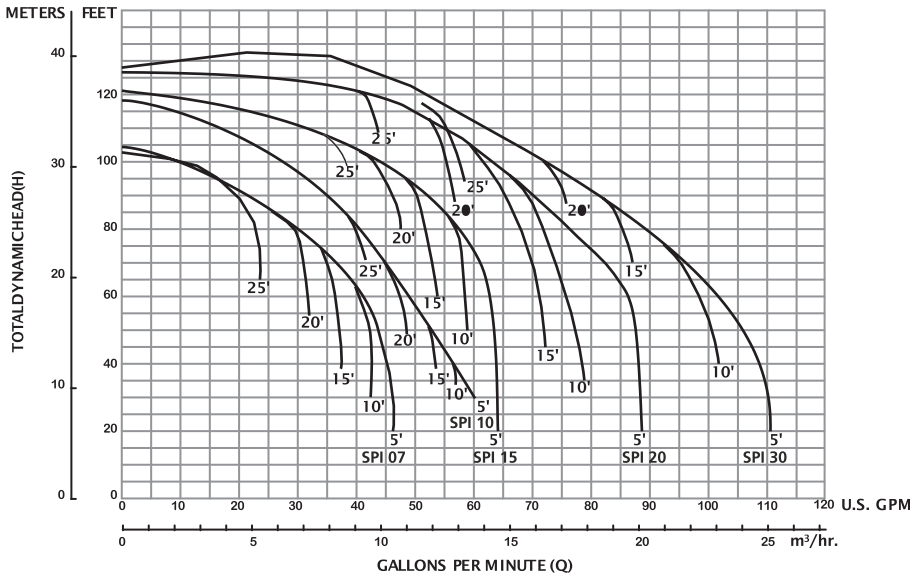
### **Note:**

- Pump must be refilled before starting/restarting, if the pump is drained or shut off during priming period.
- Total suction lift should not exceed 25 feet of head (inclusive of pipe friction losses and elevation).
- Installation of airtight union (in the suction line close to pump) and a foot valve at liquid source is recommended

### SELF PRIMING CENTRIFUGAL PERFORMANCE RATINGS

Model	PSI Discharge Pressure	Suction Lift in Feet				
		5	10	15	20	25
SPI07	20	43	40	35	30	23
	30	33	30	24	21	13
	40	10	3	0	0	0
SPI10	20	52	50	48	44	40
	30	42	40	37	35	30
	40	28	21	15	7	0
SPI15	20	64	60	55	50	40
	30	60	56	53	47	37
	40	46	39	34	22	15
SPI2	20	87	77	71	60	47
	30	81	73	69	58	45
	40	66	61	58	51	43

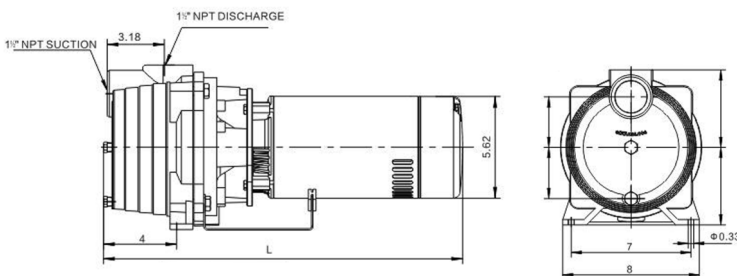
### PERFORMANCE CURVE



### DIMENSIONS AND WEIGHTS

Model	½ HP	¾ HP	1 HP	1½ HP
Length	21	21	21	21.65

### DIMENSIONAL DRAWING



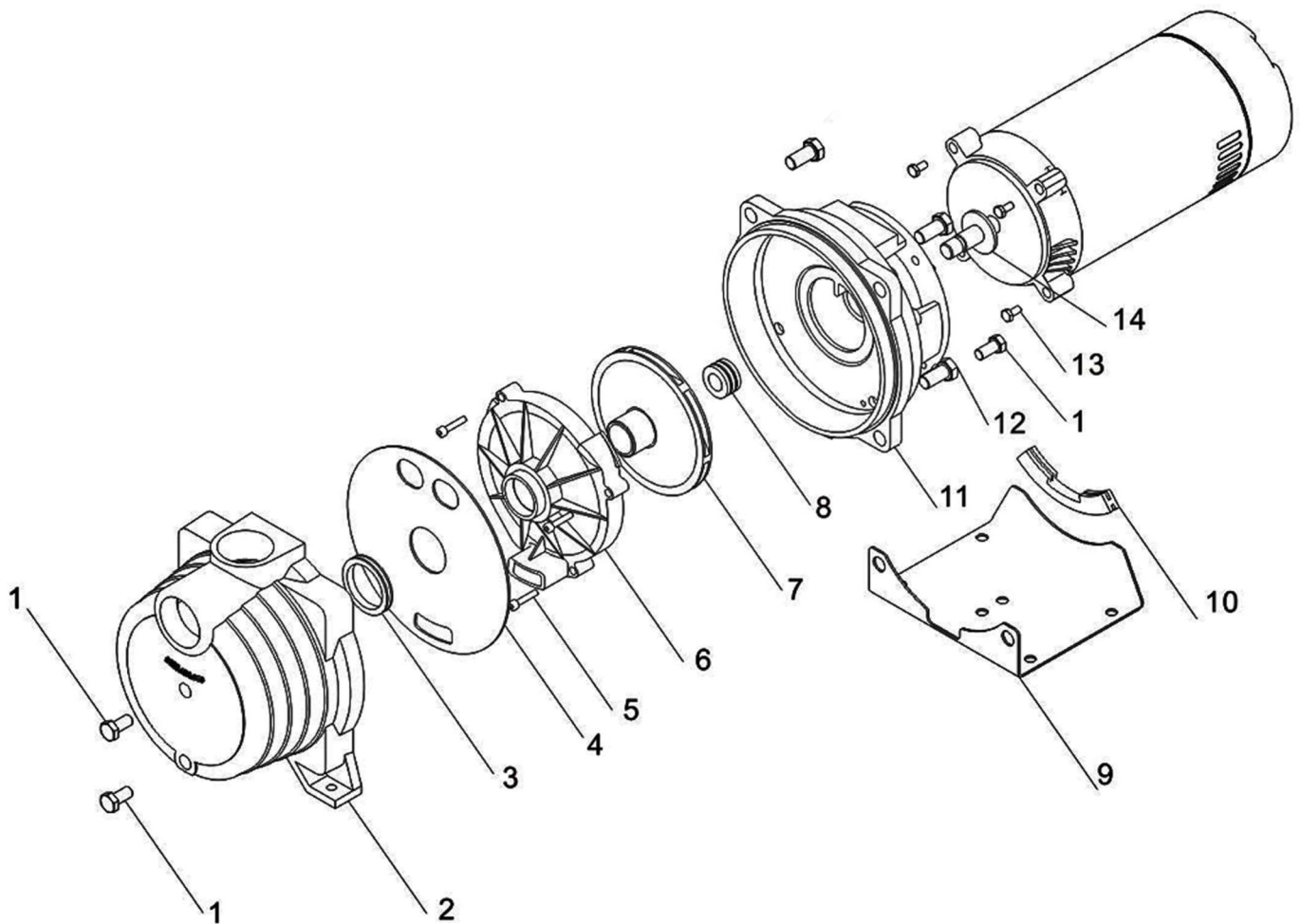
MODEL	L
SPI 7	19.69
SPI 10	19.69
SPI 15	20.5
SPI 20	20.5

Note : The above dimensions unit is Inch (In.)

## EXPLODED DRAWING AND SPARE PARTS

1	Cas nail	NPT 1/4" , Zinc plated
2	Pump body	HT 200
3	Separator plate seal ring	Rubber
4	Separator plate	NBR
5	Cross recess head screw	M6X20, S.S
6	Diffuser	PPO
7	Impeller	PPO+20%GF
8	Mechanical seal	Graphite+Geramic
9	Bracket	Gold roller steel
10	Rubber Pad	Rubber
11	Pump cover	HT 200
12	Hexagon blot with full screws	1/2" - 13x30, S, S
13	Hexagon blot with full screws	3/8" - 16x25, S, S
14	Thrower	Heat - Resistance Rubber

NOTE: Other Voltages or frequency 50Hz available on request



## SHAKTI PUMPS USA LLC.

740, Florida Central Parkway, Suite # 1008, Longwood, FL 32750, USA, Ph: 407 574 4001, 407 574 2797  
E-mail : [usa@shaktipumps.com](mailto:usa@shaktipumps.com), Visit us at : [www.shaktipumps.us](http://www.shaktipumps.us)